

USER MANUAL

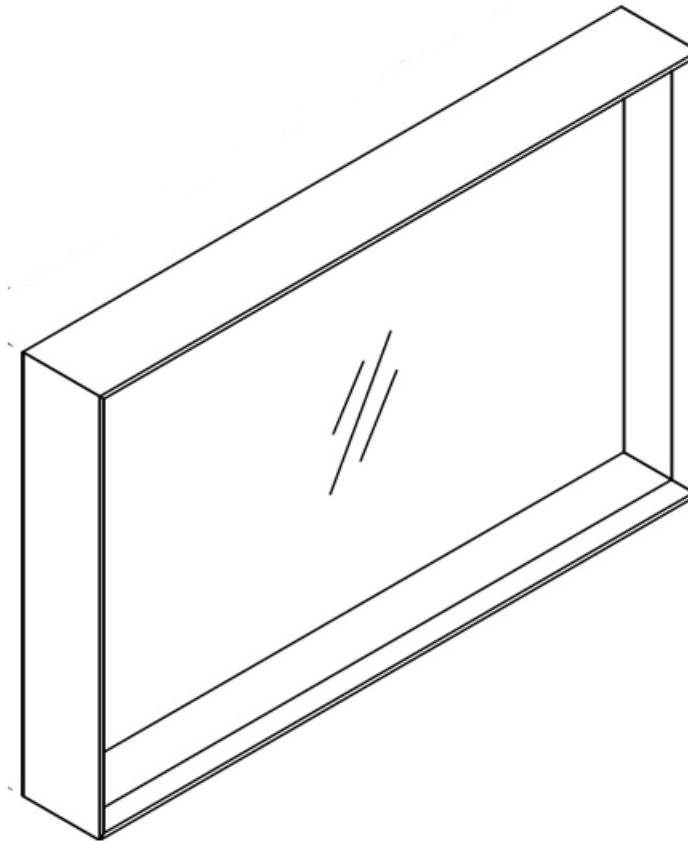


Thank you for choosing Better Bathrooms.
Please read this manual before installing your product
and keep for future reference.

better 
bathrooms

Product Code – BeBa_27808

Arragon 700mm Mirror



- **Multi-person assembly**
- **We always recommend using professional tradespeople to install your product**

Congratulations on your purchase

And welcome to our growing gang of savvy shoppers

We're on a mission to bring you extraordinary bathroom products, for less. From modern to traditional style ceramics, plus the gorgeous fixtures, fittings and furniture to match. So, you can fall in love with your space every single day.

As one of the UK's largest independent bathroom stores, we've received countless awards; including the National Business Awards UK, the Digital Entrepreneur Awards and being placed on The Sunday Times Fast Track 100.

We hope your new product exceeds your highest expectations. However, if you experience any problems, please:

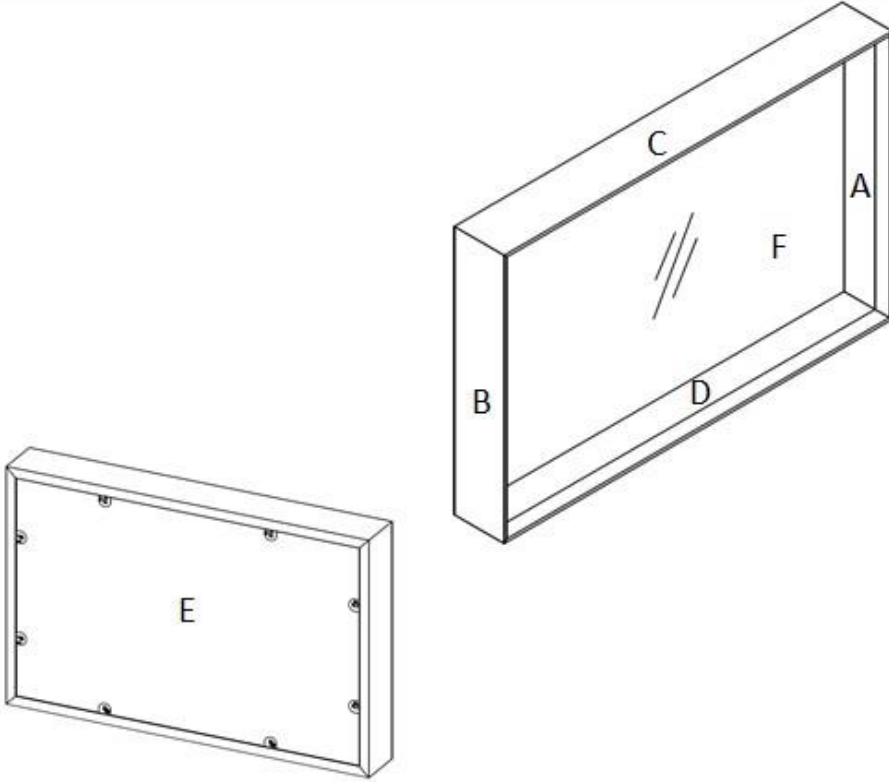
- Log in to your account and contact our customer services team via your self-serve portal – betterbathrooms.com/CustomerAccount/Login
- Contact us via betterbathrooms.com/content/contact-us

Important information

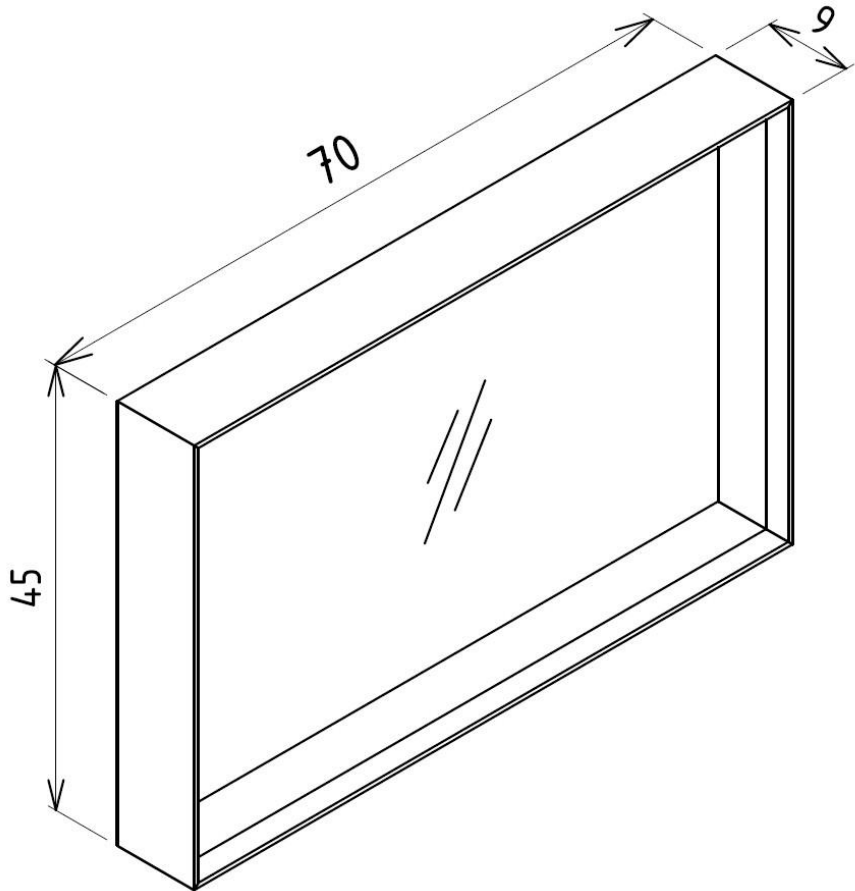
- Please read these instructions thoroughly and retain for future reference
- Please ensure the product is installed level on all 4 plains
- Use cut out screw holes if provided to fix the mirror unit to the wall
- Please inspect the product fully for any damage or defects prior to installation
- **Always check all wall before drilling to prevent damage to pipes and cables.**
- **Always wipe the unit dry after every use and remove any standing water to maintain the product finish.**

| Unit Weight (Kg) | L Hook Bearing Capacity (Kg) |
|------------------|------------------------------|
| 8,40 | 10,00 |





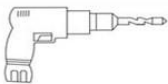


PARTS / DIAGRAMS



| |
|------------------------|
| A – RIGHT SIDE PANEL |
| B – LEFT SIDE PANEL |
| C – TOP PANEL |
| D – BOTTOM PANEL |
| E – BACK PANEL |
| F – SAFETY FILM MIRROR |







Tools required

| NECESSARY EQUIPMENT | | | |
|---|---|--|---|
|  |  |  |  |
|  |  |  | |

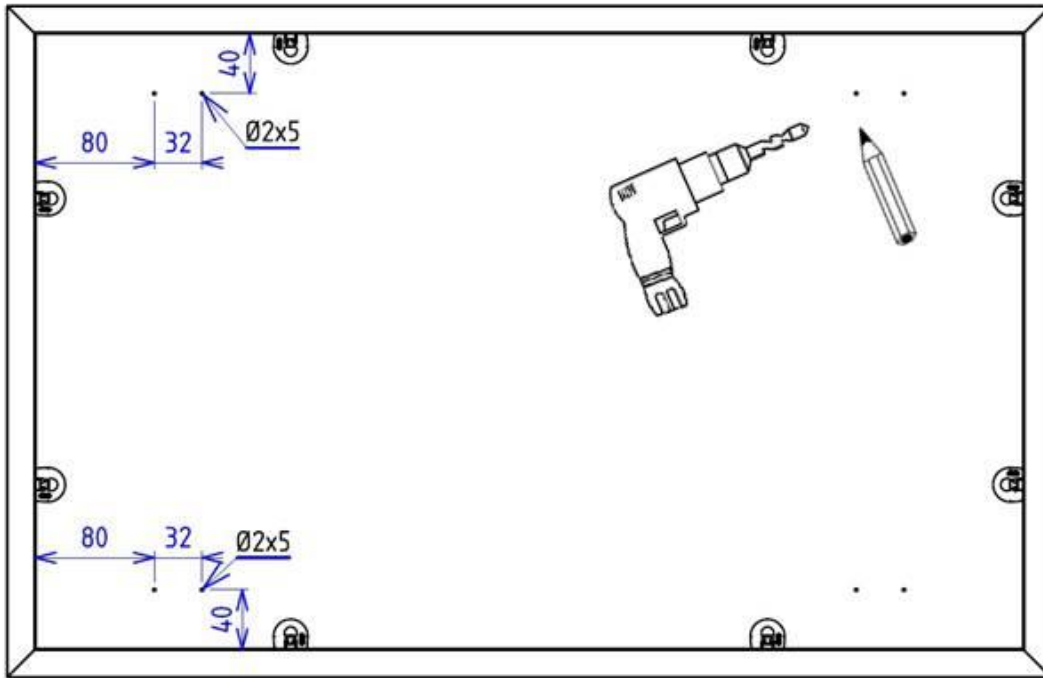
Installation

Please spend 5 minutes reading this section before commencing with the installation of your new furniture

1. Should any of your items have a defect, please do not install as returns will not be accept once fitted.
2. We advise that you use a qualified person to install your units, as any issues relating to poor fitting will not be accepted by the supplier.
3. This product is water resistant but NOT waterproof and therefore the room must be well ventilated and any standing water must be wiped dry after use.
4. Fixings and wall type must be sufficient to support the unit, the fixings supplied are for solid wall fixing.

| FITTINGS CHECKLIST | | | QTY |
|--------------------|---|-----------------------------|-----|
| A |  | <u>Cabinet Hanger Cover</u> | 4 |
| B |  | <u>3,5x16 Screw</u> | 8 |
| C |  | <u>L Hook</u> | 2 |
| D |  | <u>Dowel</u> | 2 |

1



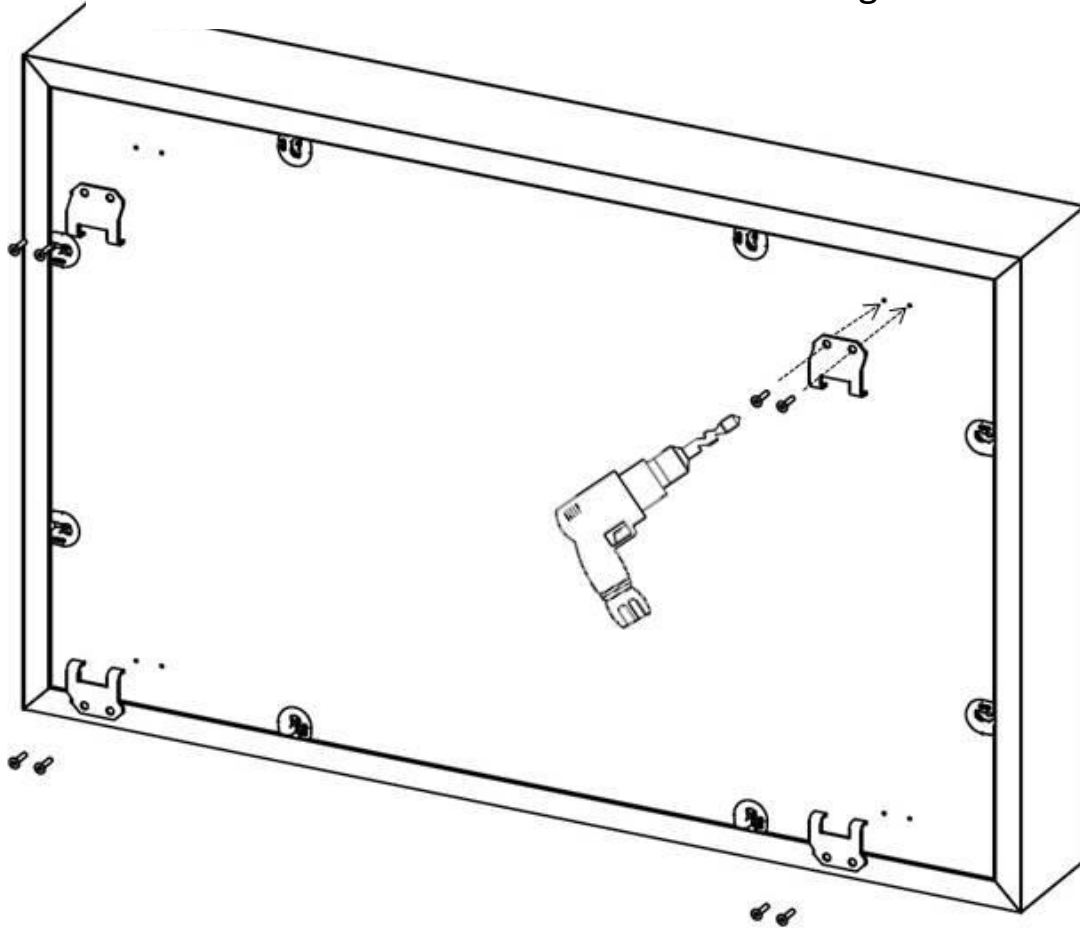
Info:

- 1- Signed holes for the cabinet hanger covers are available on the back panel of the mirror.

2

Info:

The cabinet hanger covers are mounted with the help of a drill and screw which shows at the figure.



1



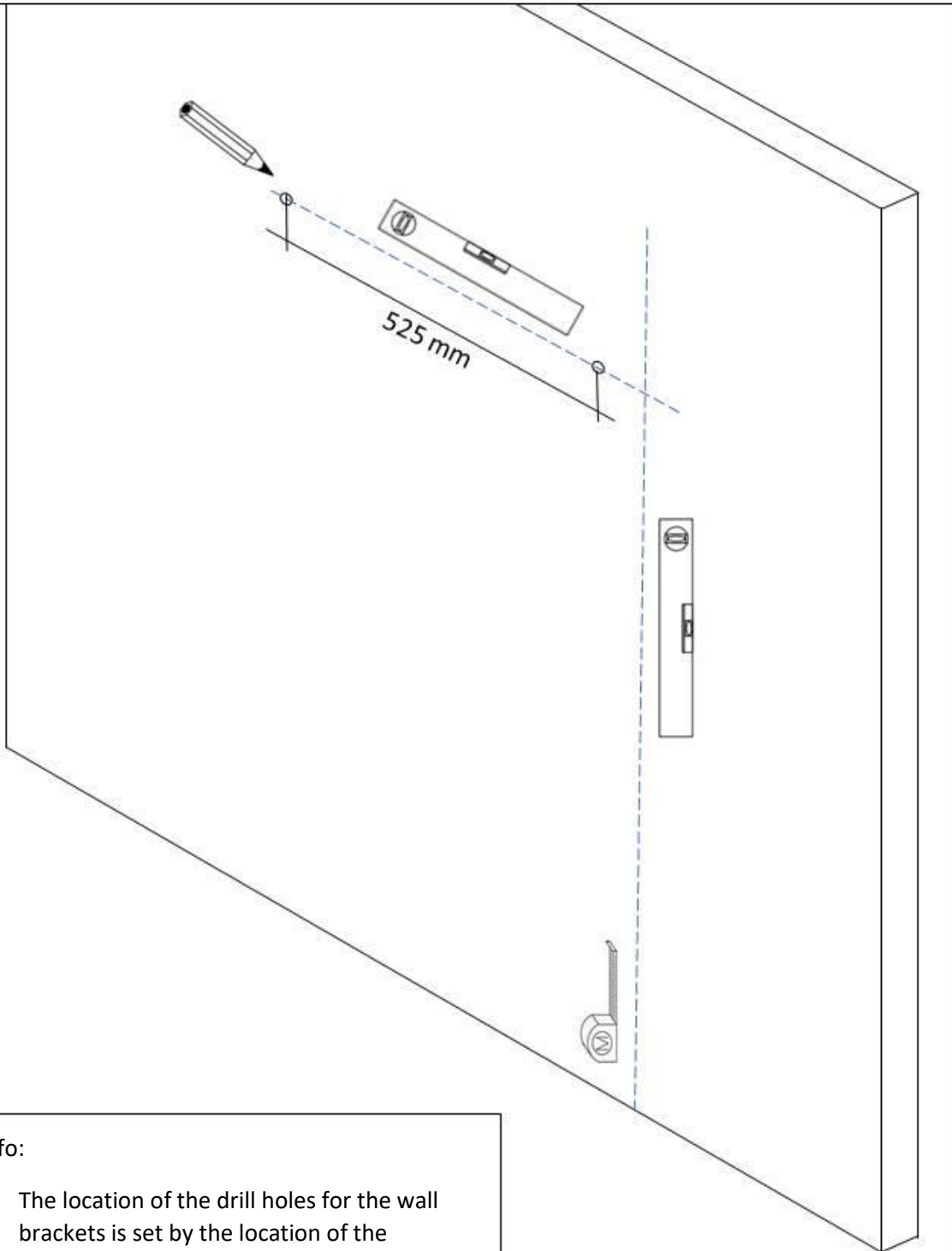
4 Aluminum dished hanger

2



8 3,5x16 screw

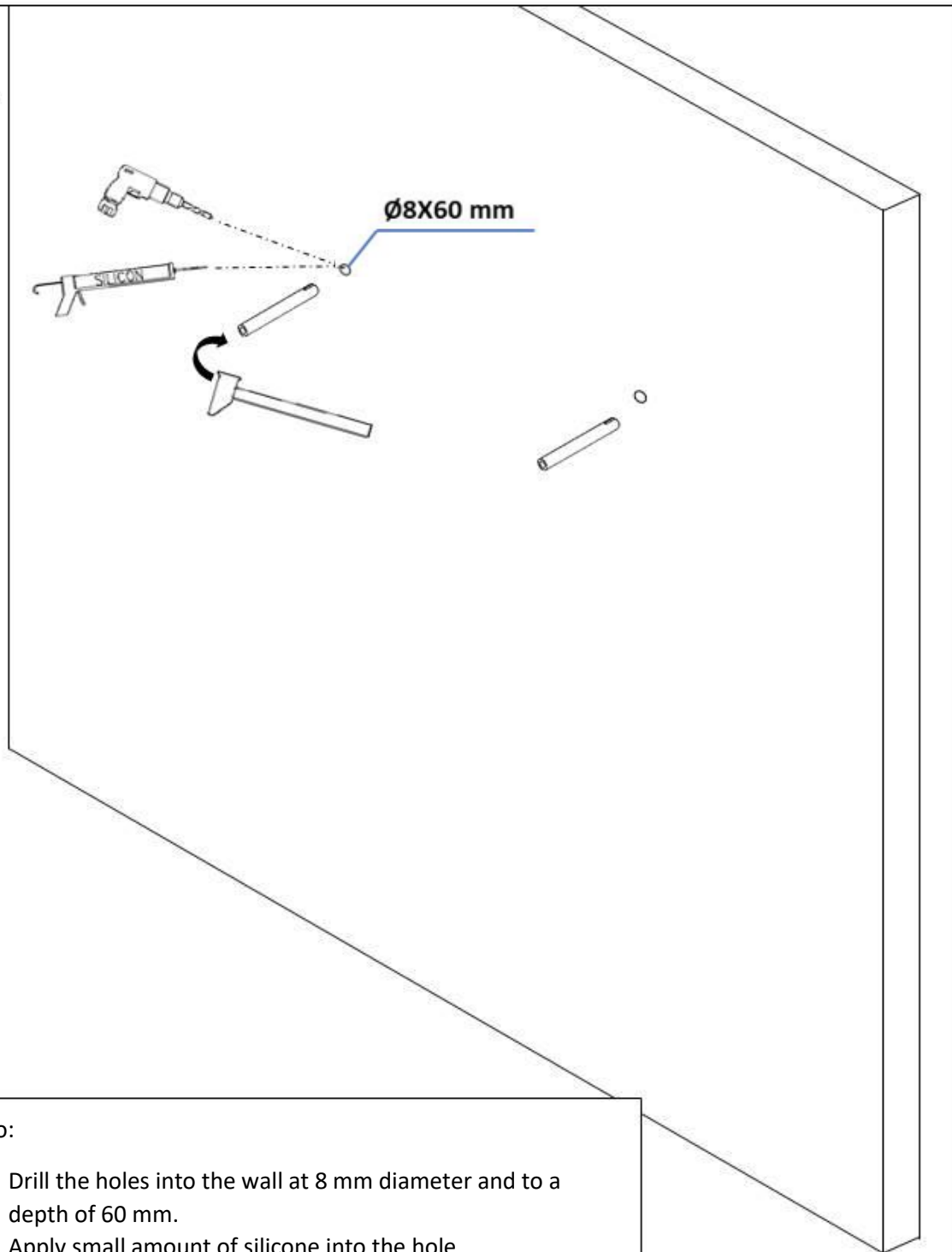
3



Info:

- 1- The location of the drill holes for the wall brackets is set by the location of the hanging brackets in the back of the mirror
- 2- Ensure the holes are level using a tape measure and spirit level

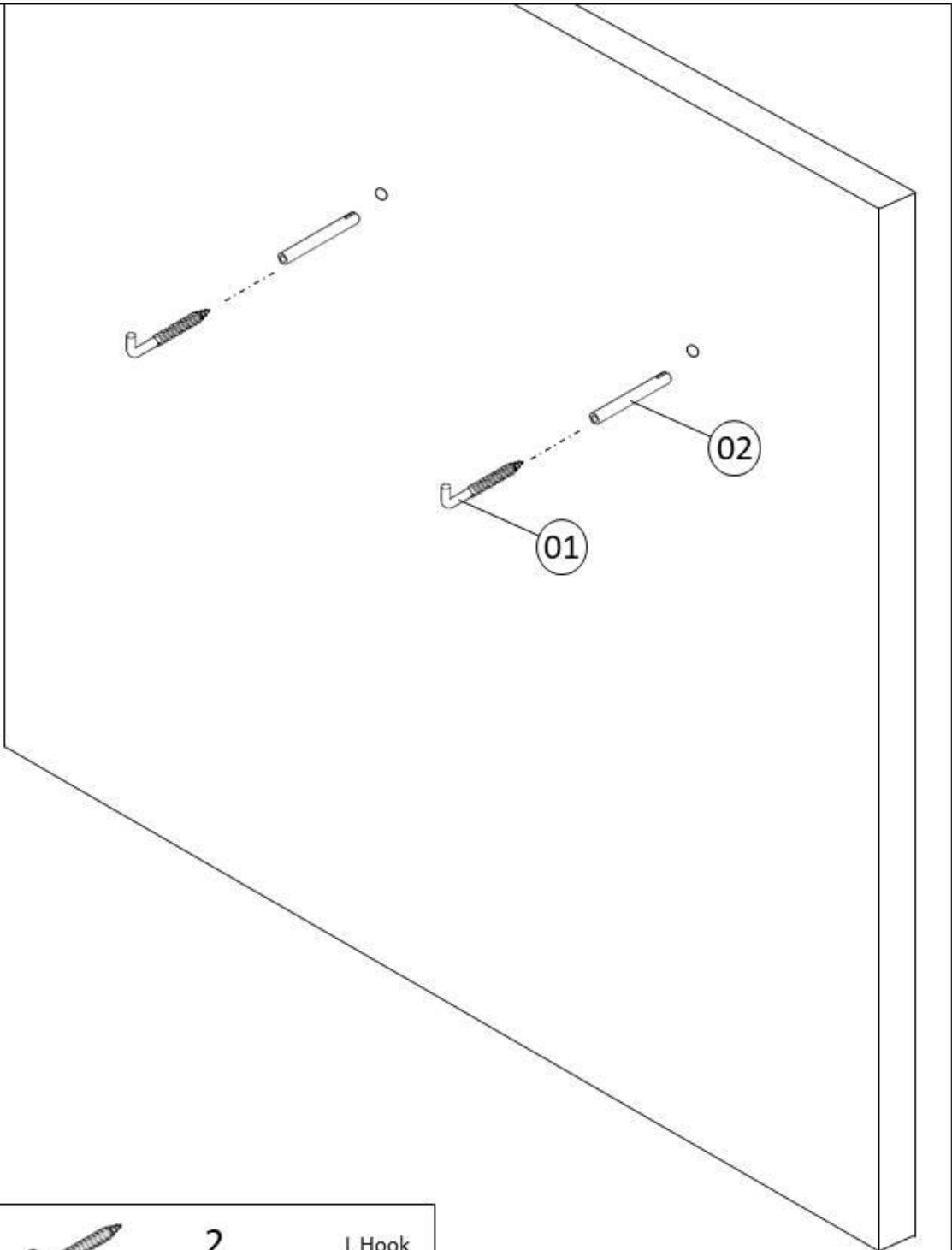
4



Info:

- 1- Drill the holes into the wall at 8 mm diameter and to a depth of 60 mm.
- 2- Apply small amount of silicone into the hole
- 3- Fit the dowels into the holes and tap flush with a hammer

5



3



2

L Hook

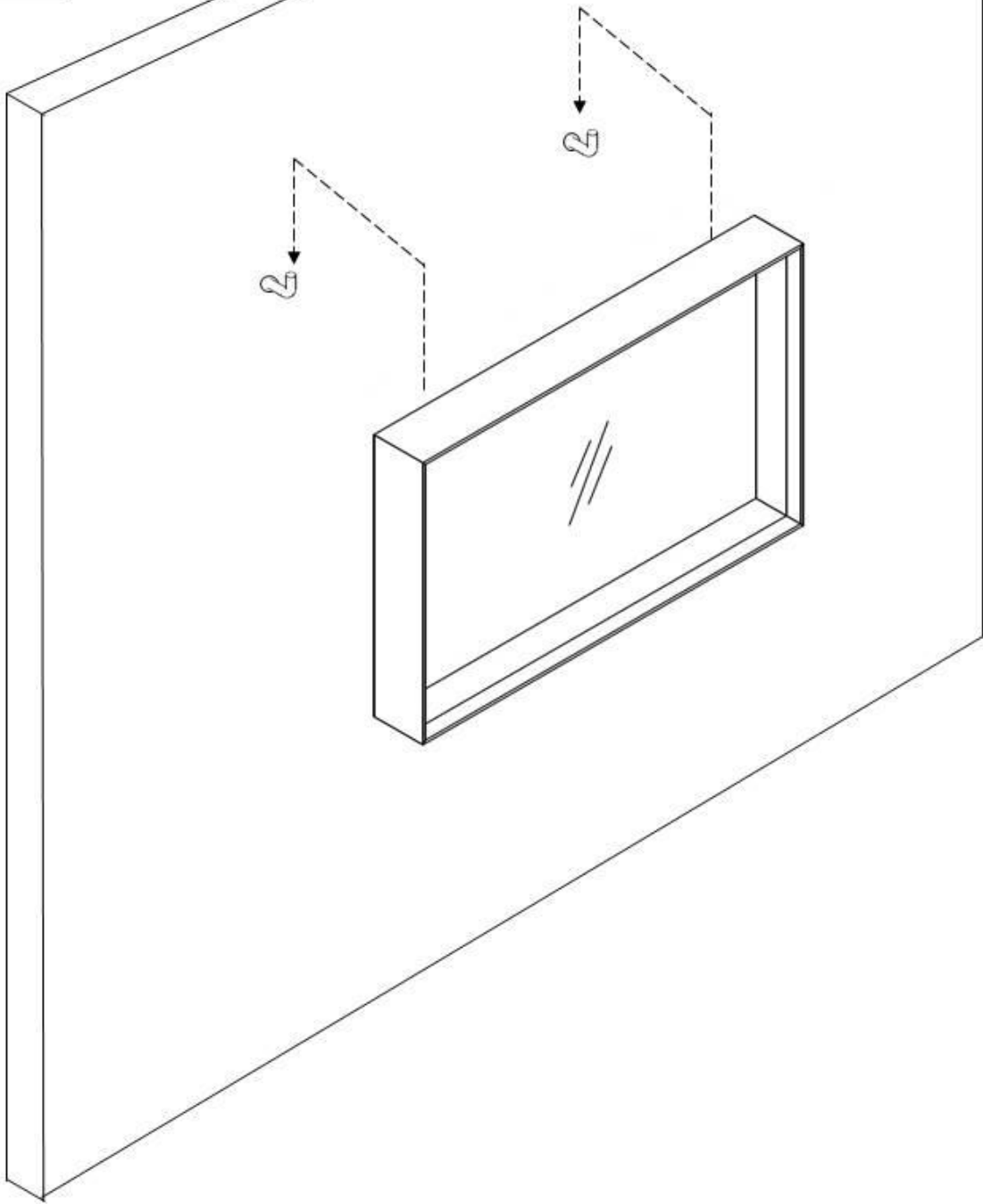
4



2

Dowel

6



Maintenance

Please note that although these units have been designed to give years of pleasure and satisfaction, you will help maintain the original beauty of your bathroom by following these guidelines.

Carcass components

Do not use polish on any surfaces. A damp cloth with soapy water will clean off most marks or spills. On no account should any spillage, even water, be allowed to lie on the surface. Bleaches, scouring pads and multi-surface cleaners should not be used.

Temperature, humidity, ventilation and proximity

Avoid excessive change in temperature and humidity. We would advise an extractor fan to be installed in all bathrooms which include furniture to reduce the chance of water ingress damage. The extractor fan should be used every time that the shower/bath is used and should be left switched on for a sufficient time afterward to allow for adequate ventilation. Ensure that the fan has been correctly sized for the room in use. The units, under no circumstance, should be fitted in a location where they are regularly subjected to contact with water.

Cleaning

To maintain the surface of your product, wipe with a clean damp cloth and wipe dry, do not use any abrasive cleaning agents or materials. If any harsh chemicals come into contact with the surface of the product, rinse and wipe clean immediately.

For more information

- visit betterbathrooms.com
- email customerservices@buyitdirect.co.uk
- call 03303903062
- write to Trident Business Park, Neptune Way, Huddersfield, HD2 1UA

**better
bathrooms** 

Part of the BuyItDirect Group